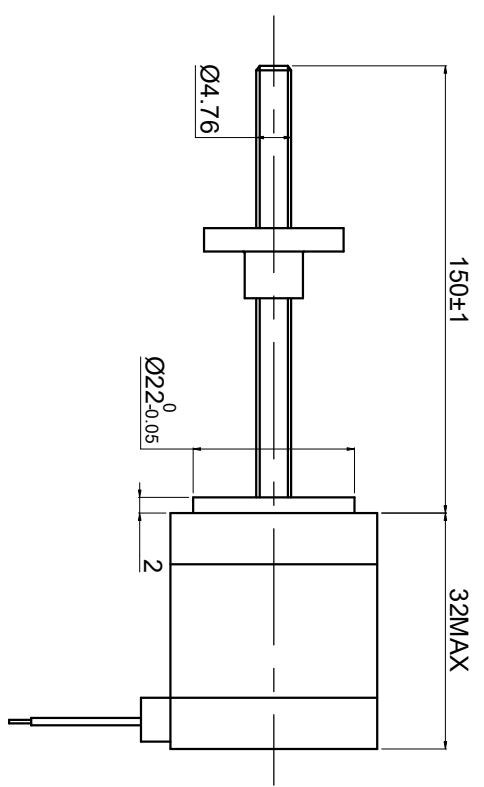
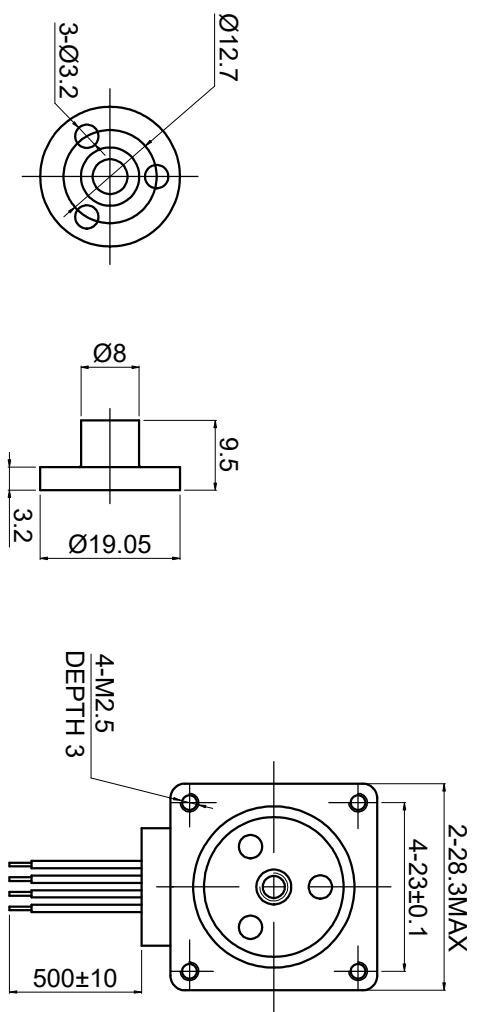


CUSTOMER'S MODEL: NO MODEL  
 END COVER COLOR: BLACK

REV.	REVISION RECORD	BY	DATE
0	ORIGIN	MYX	1.28.2026



SPECIFICATION	CONNECTION	BIPOLAR
AMPS/PHASE		0.42
RESISTANCE/PHASE(Ohms)@25°C		11.40±10%
INDUCTANCE/PHASE(mH)@1KHz		6.00±20%
HOLDING TORQUE(Nm)[Ib-In]		0.06[0.53]
STEP ANGLE(°)		1.80
STEP ACCURACY(NON-ACCUM)		±5.00%
LEAD(mm)		1.27
LINEAR TRAVEL/STEP(mm)		0.00635
AMBIENT TEMPERATURE		-10°C~50°C[14°F~122°F]
INSULATION CLASS		B 130°C[266°F]
TEMPERATURE RISE		MAX.80°C
AMBIENT HUMIDITY		MAX.85%

COMMENT:  
 1. TMBF 6000h OR MORE @ 24V/3000RPM  
 2. INSULATION RESISTANCE (NORMAL TEMPERATURE AND HUMIDITY): 100 Mohm  
 3. DIELECTRIC STRENGTH 500VAC FOR 1MIN.(BETWEEN THE MOTOR COILS AND THE MOTOR CASE )

LINEAR ACTUATOR  
 11E13S0424FD4-150RS  
 S/N: XXXXXXXXXXXXX



MOTOR CONNECTION				WINDING	
PIN NO	BIPOLAR	LEADS		A+	A-
1	A+	RED			
2	A-	RED/WHT			
3	B+	GRN/WHT			
4	B-	GRN			

STEP	FULL STEP 2 PHASE-EX. WHEN FACING MOUNTING END (X)				CCW	CW
	A+	B+	A-	B-		
1	+	+	-	-	↑	↓
2	-	+	+	-		
3	-	-	+	+		
4	+	-	-	+		

DIMENSIONS ARE IN MILLIMETERS.	
TOLERANCES AS BELOW:	ANGLES
X ±0.5	±2°
X X ±0.25	
X X X ±0.13	

THIS DOCUMENT SHALL NOT BE REPRODUCED NOR SHALL THE INFORMATION CONTAINED HEREIN BE USED BY OR DISCLOSED TO OTHERS UNLESS EXPRESSLY AUTHORIZED IN BY WRITING STEPPERONLINE.

SIGNATURE	DATE
DRN MYX	1.28.2026
APVD LJ	1.28.2026



LINEAR ACTUATOR

11E13S0424FD4-150RS

REV.	SCALE	DWG. NO.
1	3:2	A5327