

STEPPERONLINE®

User Manual

LG8 Series Linear Actuators



©2025 All Rights Reserved

Address: 15-4, #799 Hushan Road, Jiangning, Nanjing, China

Tel: 0086-2587156578

Web: www.omc-stepperonline.com

Sales: sales@stepperonline.com

Support: technical@stepperonline.com

LG8 Series

Model Explanation

LG8 - 24 D L10 (S) 3 - 500

Stroke Length:500mm

No. of Sensors

Motor installation standard (no letter means stepper motor)

S: Standard servo

P: Panasonic servo

Lead:10mm

Motor Mounting Position:

D:Direct Connect

B:Under Fold

L:Left Fold

R:Right Fold

Motor Mounting Flange:

24:Nema 24 Stepper

60:60mm Servo

Series

Specifications

Nema 24 Stepper drive:

Position accuracy (mm)		0.01			
Ball screw lead (mm)		5	10	20	-
Maximum speed (mm/s)		83	166	333	-
Maximum payload (kg)	Horizontal	50	30	18	-
	Vertical	15	8	3	-
Rated thrust (N)		726	363	181	-

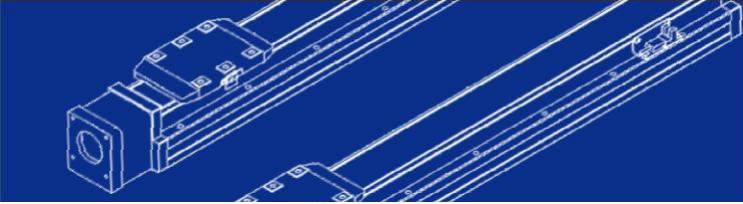
Note: We recommend setting the motor acceleration and deceleration time to 0.4 seconds.

(400W)60mm Servo drive:

Position accuracy (mm)		0.01			
Ball screw lead (mm)		5	10	20	-
Maximum speed (mm/s)		250	500	1000	-
Maximum payload (kg)	Horizontal	50	30	18	-
	Vertical	15	8	3	-
Rated thrust (N)		1388	694	347	-

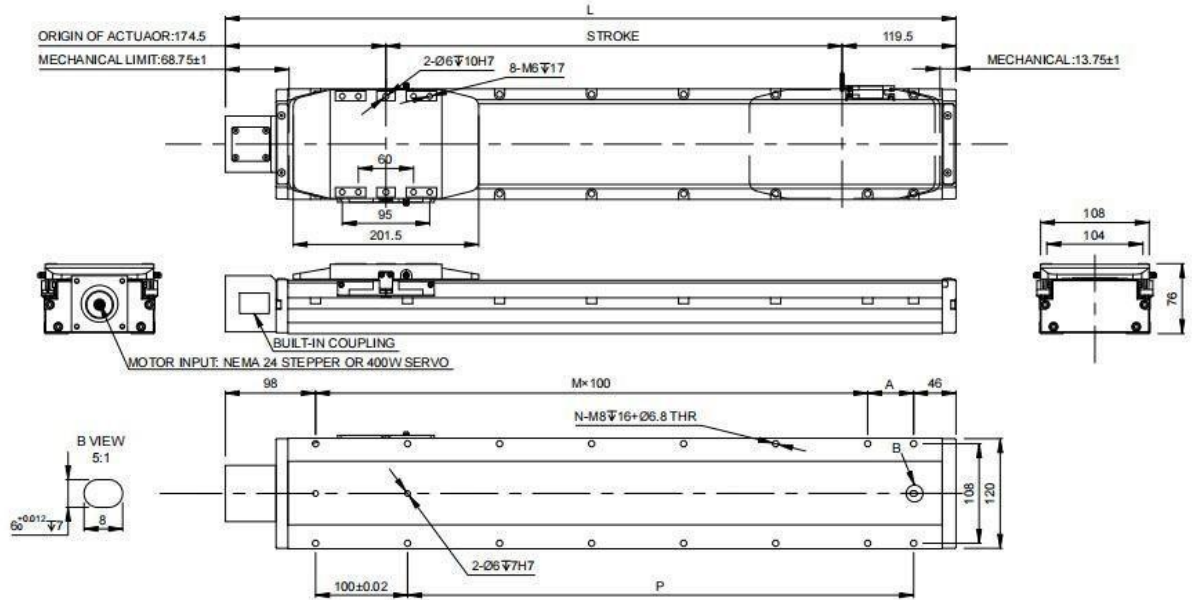
Note:

1. When the stroke is over 750mm, the run-out of the ballscrew will occur. We recommend to low down the working speed under this circumstances.
2. We recommend setting the motor acceleration and deceleration time to 0.2 seconds.



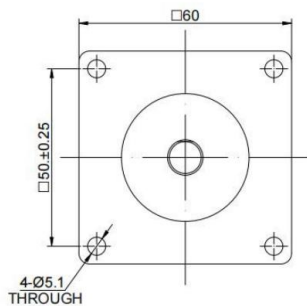
Size Details

1.D: Direct Connect

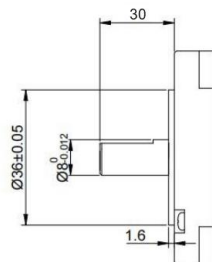


Stroke	50	100	150	200	250	300	350	400	450	500	550	600	650	700	750	800	850	900	950	1000	1050	1100
L	328	378	428	478	528	578	628	678	728	778	828	878	928	978	1028	1078	1128	1178	1228	1278	1328	1378
A	50	100	50	100	50	100	50	100	50	100	50	100	50	100	50	100	50	100	50	100	50	100
M	1	1	2	2	3	3	4	4	5	5	6	6	7	7	8	8	9	9	10	10	11	11
N	6	6	8	8	10	10	12	12	14	14	16	16	18	18	20	20	22	22	24	24	26	26
P	50	100	150	200	250	300	350	400	450	500	550	600	650	700	750	800	850	900	950	1000	1050	1100
KG	3.91	4.29	4.70	5.00	5.35	5.68	6.00	6.35	6.64	6.97	7.41	7.71	8.12	8.41	8.65	8.96	9.37	9.62	10.01	10.28	10.70	11.12

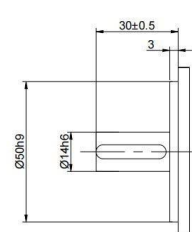
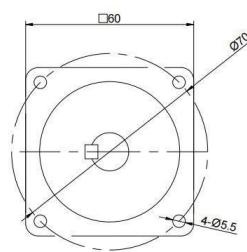
Reference motor size:



NEMA 24

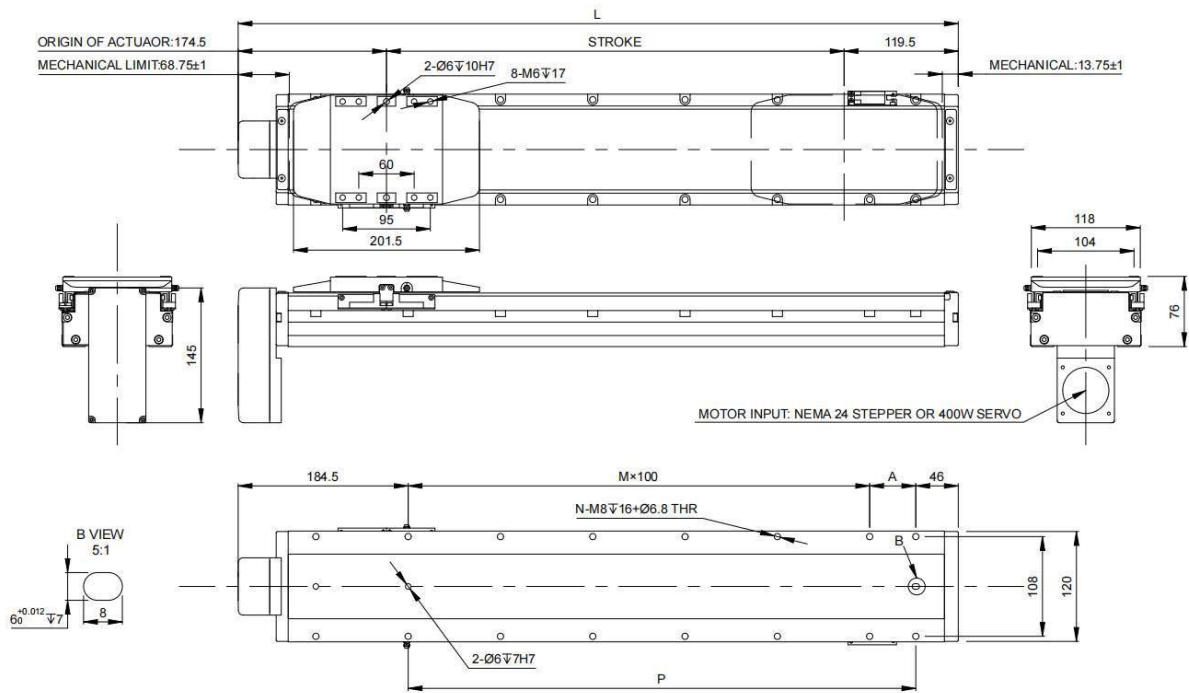


(400W)60mm Servo



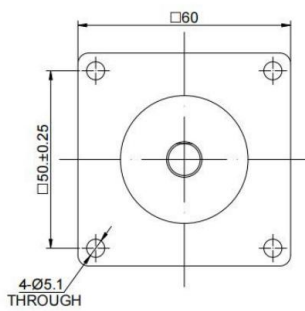


2.B: Under Fold

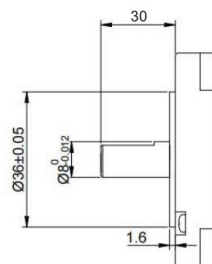


Stroke	50	100	150	200	250	300	350	400	450	500	550	600	650	700	750	800	850	900	950	1000	1050	1100
L	314.5	364.5	414.5	464.5	514.5	564.5	614.5	664.5	714.5	764.5	814.5	864.5	914.5	964.5	1014.5	1064.5	1114.5	1164.5	1214.5	1264.5	1314.5	1364.5
A	50	100	50	100	50	100	50	100	50	100	50	100	50	100	50	100	50	100	50	100	50	100
M	0	0	1	1	2	2	3	3	4	4	5	5	6	6	7	7	8	8	9	9	10	10
N	4	4	6	6	8	8	10	10	12	12	14	14	16	16	18	18	20	20	22	22	24	24
P	50	100	150	200	250	300	350	400	450	500	550	600	650	700	750	800	850	900	950	1000	1050	1100
KG	3.95	4.33	4.74	5.09	5.39	5.72	6.04	6.39	6.68	7.01	7.45	7.75	8.16	8.45	8.69	9.00	9.41	9.66	10.08	10.32	10.74	11.16

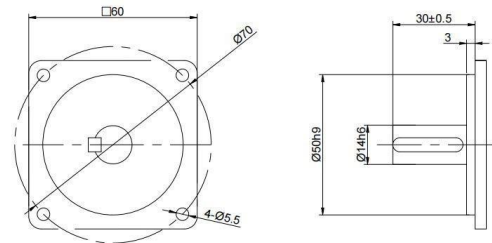
Reference motor size:

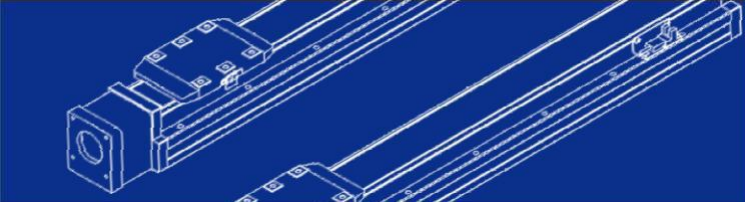


NEMA 24

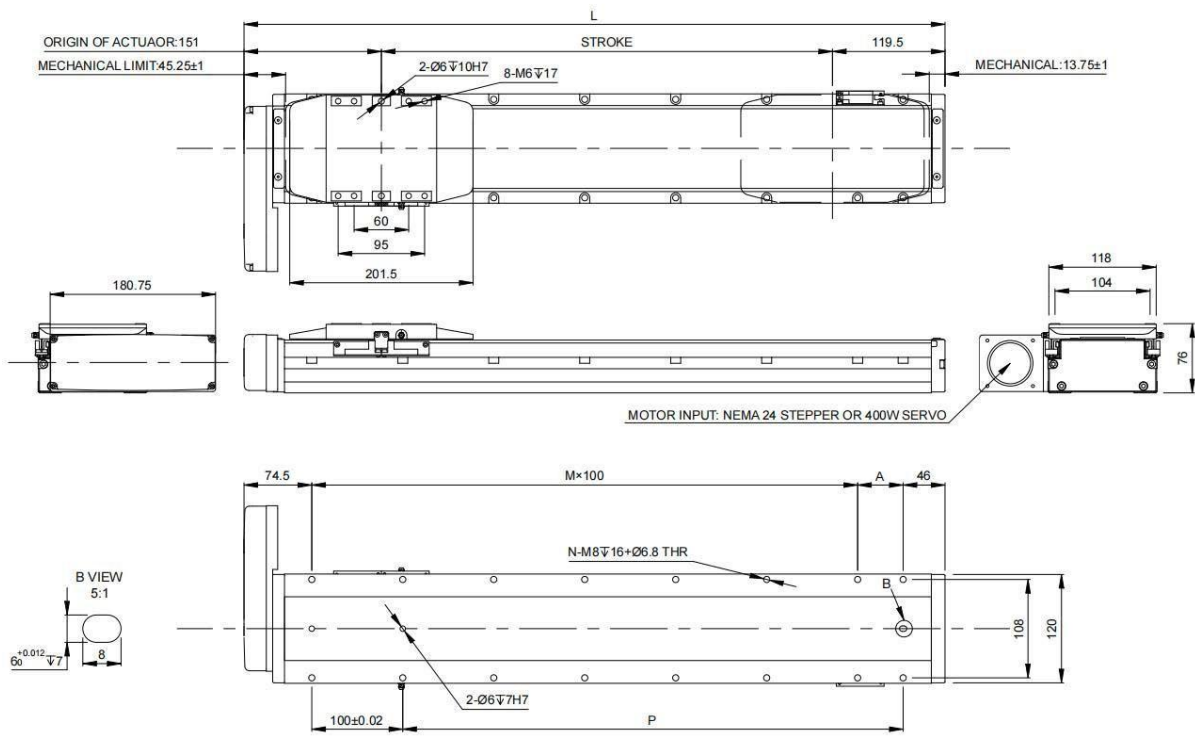


(400W)60mm Servo



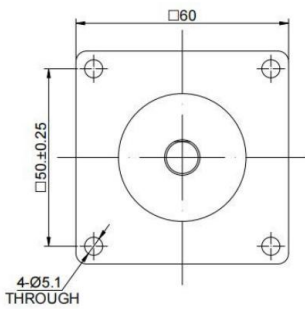


3.L: Left Fold

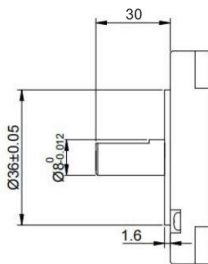


Stroke	50	100	150	200	250	300	350	400	450	500	550	600	650	700	750	800	850	900	950	1000	1050	1100
L	314.5	364.5	414.5	464.5	514.5	564.5	614.5	664.5	714.5	764.5	814.5	864.5	914.5	964.5	1014.5	1064.5	1114.5	1164.5	1214.5	1264.5	1314.5	1364.5
A	50	100	50	100	50	100	50	100	50	100	50	100	50	100	50	100	50	100	50	100	50	100
M	1	1	2	2	3	3	4	4	5	5	6	6	7	7	8	8	9	9	10	10	11	11
N	6	6	8	8	10	10	12	12	14	14	16	16	18	18	20	20	22	22	24	24	26	26
P	50	100	150	200	250	300	350	400	450	500	550	600	650	700	750	800	850	900	950	1000	1050	1100
KG	3.95	4.33	4.74	5.09	5.39	5.72	6.04	6.39	6.68	7.01	7.45	7.75	8.16	8.45	8.69	9.00	9.41	9.66	10.08	10.32	10.74	11.16

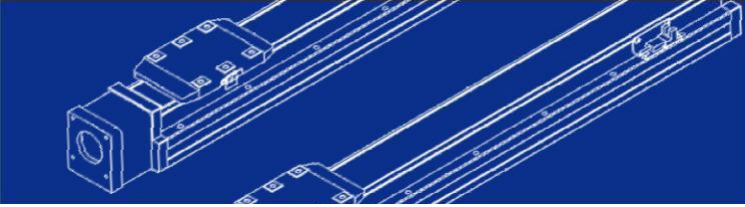
Reference motor size:



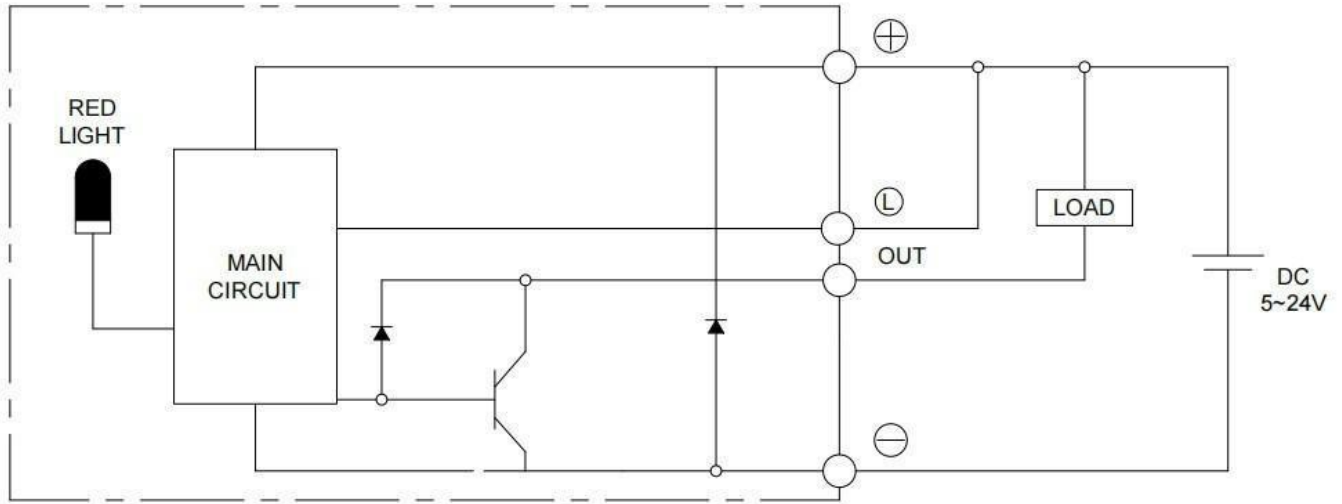
NEMA 24



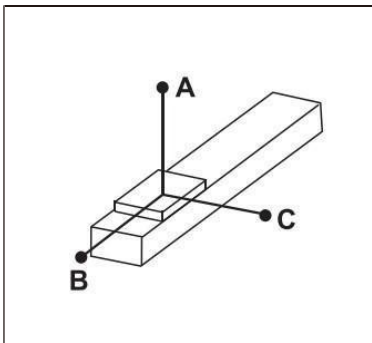
(400W) 60mm Servo



Sensor Wiring

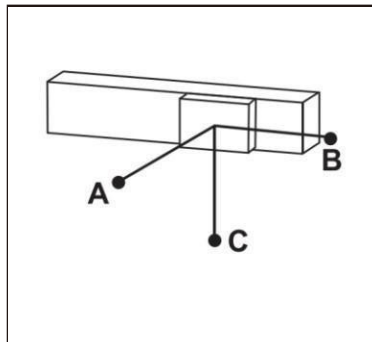


Horizontal installation



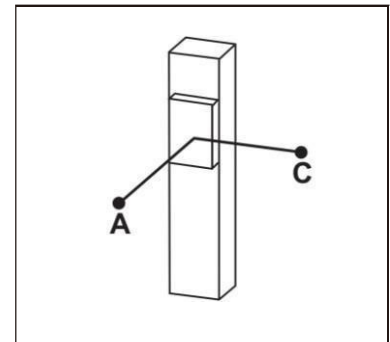
		A	B	C
Lead 5	20KG	1560	153	237
	35KG	890	81	126
	50KG	550	53	82
Lead 10	10KG	1730	286	412
	20KG	839	136	196
	30KG	541	86	124
Lead 20	6KG	1213	403	493
	9KG	800	264	323
	18KG	592	194	238
-	-	-	-	-
-	-	-	-	-
-	-	-	-	-

Wall installation



		A	B	C
Lead 5	20KG	214	153	1435
	35KG	113	81	845
	50KG	74	53	506
Lead 10	10KG	370	286	1400
	20KG	176	136	800
	30KG	112	86	495
Lead 20	6KG	444	403	760
	9KG	292	264	502
	18KG	214	194	360
-	-	-	-	-
-	-	-	-	-
-	-	-	-	-

Vertical installation



		A	C
Lead 5	10KG	321	321
	15KG	220	220
	-	-	-
Lead 10	5KG	589	589
	8KG	368	368
	-	-	-
Lead 20	3KG	935	935
	-	-	-
	-	-	-
-	-	-	-
-	-	-	-
-	-	-	-

(Unit: mm)

The torque value in the chart indicate the center of gravity;
 Operation life is 10,000km when the product is using under the specified conditions.